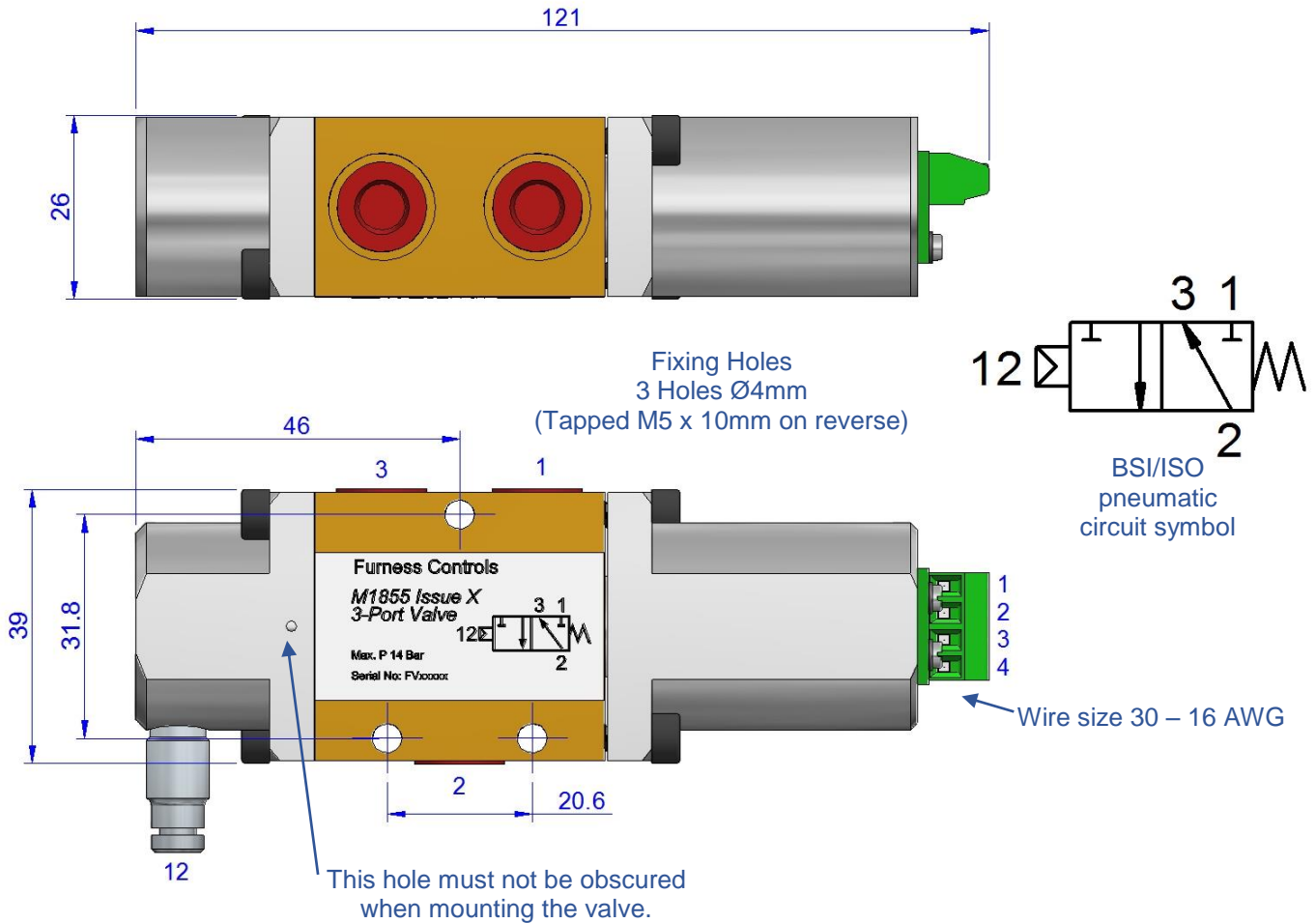


Dimensions (without fittings):



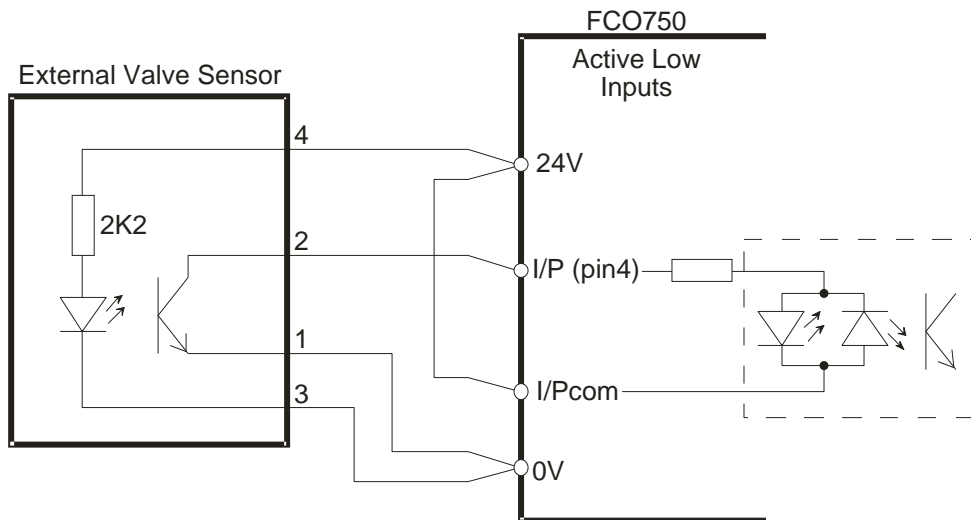
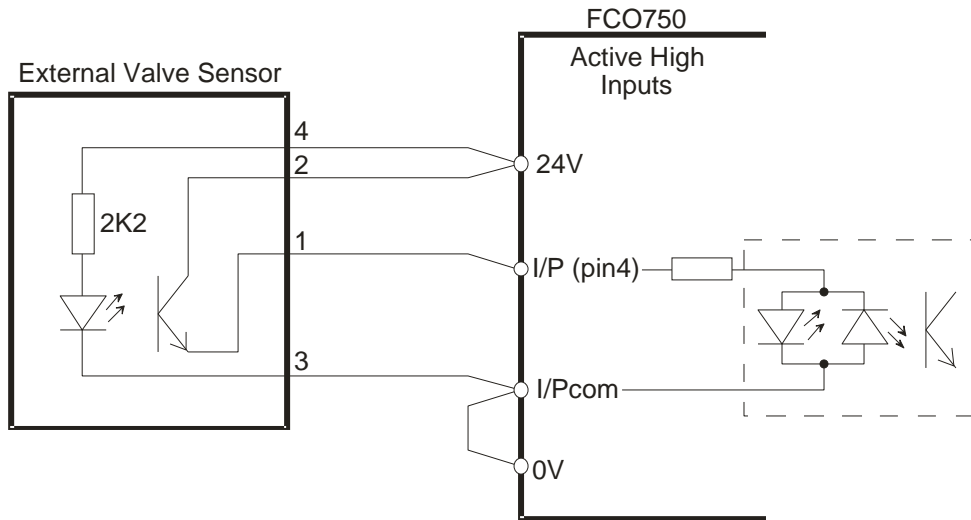
Specification:

Port Size (Ports 1,2,3):	1/8" BSP (G1/8)
Port Size (Port 12):	4 mm o/d push-in tube fitting
Actuation Pressure (port 12):	5 – 10bar
Working pressure:	-1 to +14 bar
Leak tightness:	< 0.01 cc/m
Internal Volume: (With 6mm fittings connected)	Normally closed port = 1.4 cc Normally open ports = 3.5 cc
Flow rate coefficients:	Qn = 730 Cv = 0.58 Kv = 0.68

Furness Controls has a UKAS accredited laboratory which offers pressure calibration from 0 to 40 kPa and flow calibration from 0.1 ml/min to 2000 litres/min



Valve Sensor Connections



Furness Controls has a UKAS accredited laboratory which offers pressure calibration from 0 to 40 kPa and flow calibration from 0.1 ml/min to 2000 litres/min

