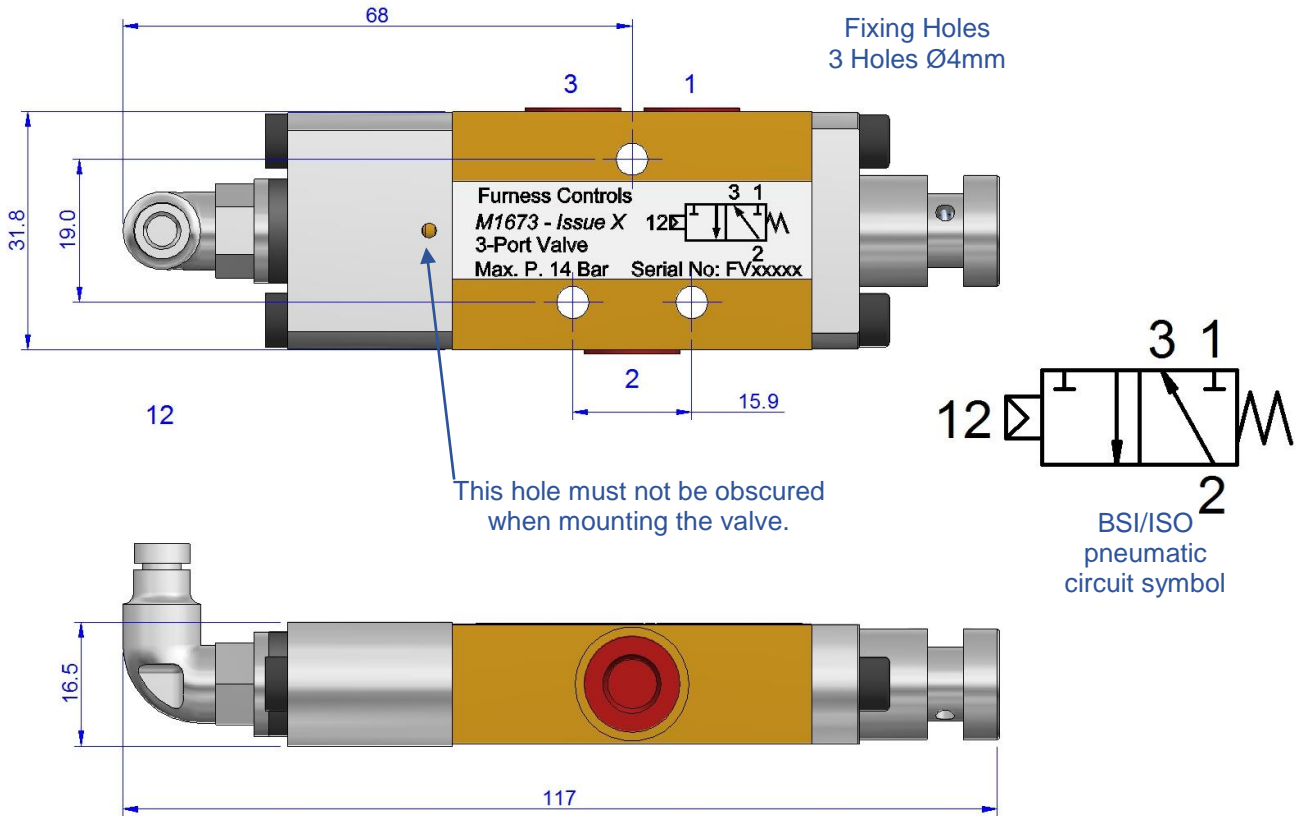


Dimensions (without fittings):



Specification:

Port Size (Ports 1,2,3):	1/8" BSP (G1/8)	
Port Size (Port 12):	4 mm o/d push-in tube fitting	
Actuation Pressure (port 12):	5 – 10bar	
Working pressure:	-1 to +14 bar	
Leak tightness:	< 0.01 cc/m	
Flow rate coefficients:	Ports 1-2	Ports 2-3
	Qn = 115	Qn = 45
	Cv = 0.092	Cv = 0.036
	Kv = 0.107	Kv = 0.042

Furness Controls has a UKAS accredited laboratory which offers pressure calibration from 0 to 40 kPa and flow calibration from 0.1 ml/min to 2000 litres/min

